



Community Development and Sustainability Department

23 Russell Boulevard, Suite 2 Davis, California 95616

Phone: (530)757-5610 TDD: (530)757-5666

Website: <http://community-development.cityofdavis.org/>

Email: cddweb@cityofdavis.org

WATER HEATER INSTALLATION

6" clearance to combustibles required for single wall vent. Single wall vent is not allowed in attic or concealed space

1" clearance to combustibles for B vent or per manufacturer's installation instructions

Hot and cold water lines shall be insulated for the first 5 feet if exposed

Vent connector requires 3 screws at each joint and at draft diverter

Cold water with ball or gate valve

Pressure Temperature Relief Valve (PTR)

Seismic brace with approved strapping kit or 3/4" perforated 24 gauge plumbers tape. 1 strap in top 1/3 and 1 strap in bottom 1/3. Bottom strap must be a minimum 4" above the controls

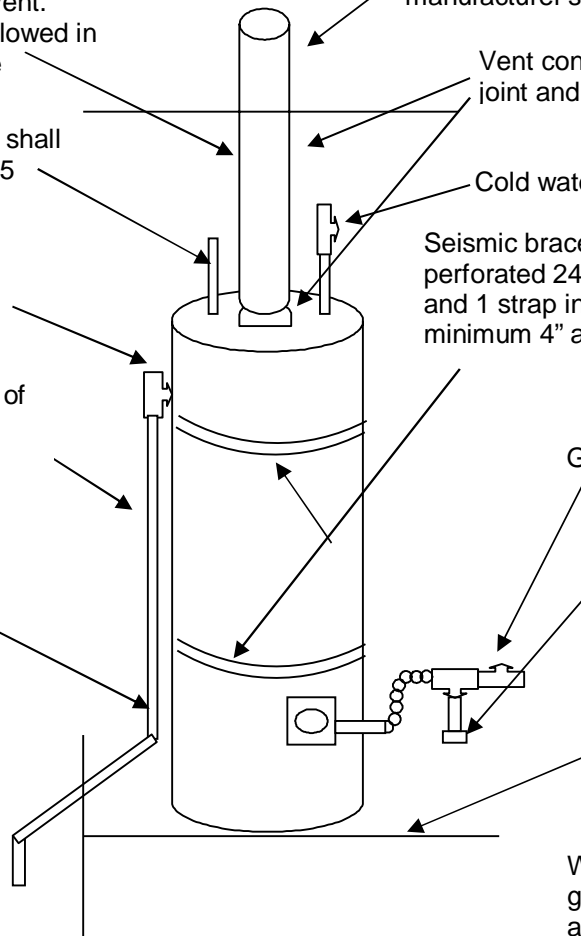
PTR line must be made of galvanized pipe or hard drawn copper or CPVC and must gravity drain.

Gas shut off valve

PTR discharge 6" to 24" from exterior grade and pointing down w/no threads

Iron pipe w/tee and minimum 3" drip leg before the flex connector (CPC 2016 1212.8)

Water heater pan required if installed on structural wood elements with 3/4" drain to approved location



Water heater installed in a residential garage shall be installed so all burners and ignition devices are located not less than 18" above the floor unless listed as flammable vapor ignition resistance. Such appliances shall be located or protected so it is not subject to physical damage by a moving vehicle.

The minimum capacity for water heaters shall be in accordance with the first hour rating listed in Table below

Number of Bathrooms	1 to 1.5		2 to 2.5				3 to 3.5		
	2	3	2	3	4	5	3	4	5
1 st Hr. Rating ² in gallons	42	54	54	67	67	80	67	80	80