



## SCH Enterprises, LLC

79405 HWY 111, Ste. 9PMB 466,  
La Quinta, CA 92253

[www.SCHenterprisesLLC.org](http://www.SCHenterprisesLLC.org)  
[operations@schenterprisesllc.org](mailto:operations@schenterprisesllc.org)  
503-364-1353

### PRODUCT SUBMITTAL

#### LR SERIES – LIGHTNING BOLT BIKE RACKS

The exciting, patented Lightning Bolt (LR Series) Bicycle Racks, were designed to solve many of the problems inherent to bicycle racks on the market today. The LR Series rack provides contact with the bikes at 3 points and enables the cyclist to lock both the front tire and frame to the rack using the popular "U" lock. The tire pocket aids in guiding the bicycle tire into the pocket and also prevents it from wheel rolling and allow water and debris to drain. Low profile design makes the racks virtually invisible when loaded with bikes and the sleek and aerodynamic design makes racks aesthetically pleasing when empty or partially full. The models vary by length/capacity and make them a low cost option to install and ship. The LR series comes in our standard perpendicular or diagonal models that are single or double sided. Material is Extra Heavy .188 wall square tubing with .75" solid bar loops



MODELS: (TOP) LR-P4-SM-G; (LEFT) LR-XP8-SM-G; (RIGHT) LR Series Tire Pocket



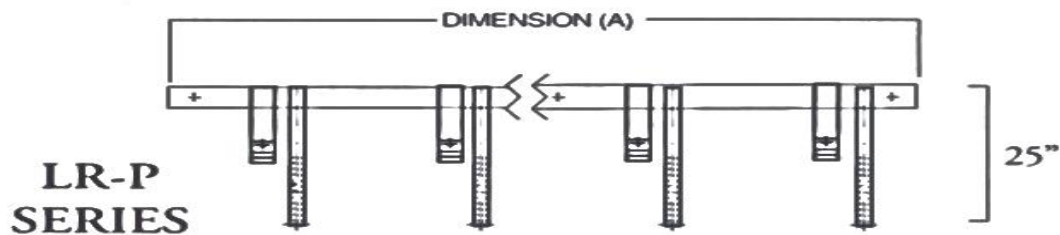
## SCH Enterprises, LLC

79405 HWY 111, Ste. 9PMB 466,  
La Quinta, CA 92253

www.SCHenterprisesLLC.org  
operations@schenterprisesllc.org  
503-364-1353

### PRODUCT SUBMITTAL

#### LR SERIES – LIGHTNING BOLT BIKE RACKS



Model #	Description	Capacity	Dimensions
<input type="checkbox"/> LR-P2	2 Post Bike Rack	2 Bikes	44.5"L x 27.5"H x 25"W
<input type="checkbox"/> LR-P3	3 Post Bike Rack	3 Bikes	67"L x 27.5"H x 25"W
<input type="checkbox"/> LR-P4	4 Post Bike Rack	4 Bikes	89.5"L x 27.5"H x 25"W
<input type="checkbox"/> LR-P5	5 Post Bike Rack	5 Bikes	112"L x 27.5"H x 25"W

#### Mounting Options

- Surface Mounted "-SM"

#### Finish Options

- Hot-dip galvanized "-G"
- Powder coat (optional) "-P"
- Thermoplastic powder coat "-T"



MODEL: LR-P2-SM-P



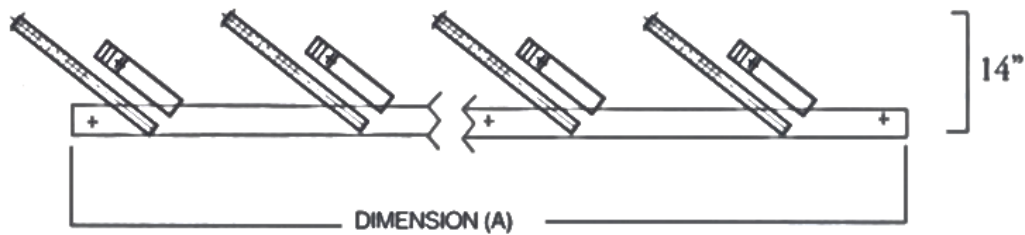
## SCH Enterprises, LLC

79405 HWY 111, Ste. 9PMB 466,  
La Quinta, CA 92253

www.SCHenterprisesLLC.org  
operations@schenterprisesllc.org  
503-364-1353

### PRODUCT SUBMITTAL

#### LR SERIES – LIGHTNING BOLT BIKE RACKS



### LR-D SERIES

Model #	Description	Capacity	Dimensions
<input type="checkbox"/> LR-D2	2 Post Bike Rack	2 Bikes	59.5"L x 27.5"H x 14"W
<input type="checkbox"/> LR-D3	3 Post Bike Rack	3 Bikes	89.5"L x 27.5"H x 14"W
<input type="checkbox"/> LR-D4	4 Post Bike Rack	4 Bikes	119.5"L x 27.5"H x 14"W

#### Mounting Options

- Surface Mounted "-SM"

#### Finish Options

- Hot-dip galvanized "-G"
- Powder coat (optional) "-P"
- Thermoplastic powder coat "-T"



MODEL: LR-D4-SM-P



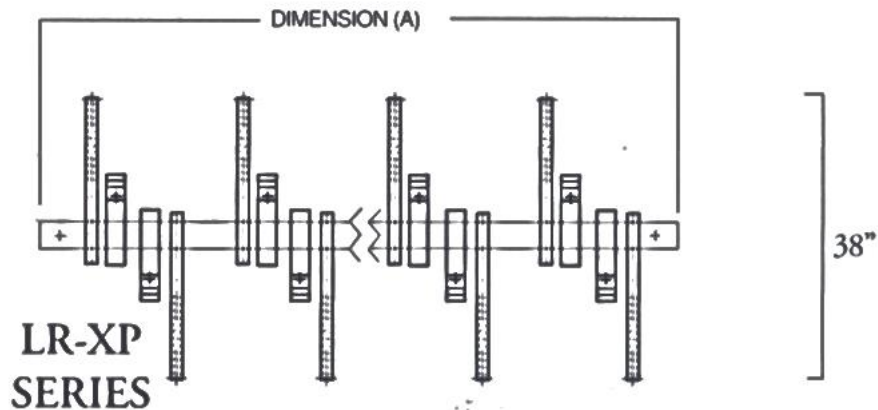
## SCH Enterprises, LLC

79405 HWY 111, Ste. 9PMB 466,  
La Quinta, CA 92253

www.SCHenterprisesLLC.org  
operations@schenterprisesllc.org  
503-364-1353

### PRODUCT SUBMITTAL

#### LR SERIES – LIGHTNING BOLT BIKE RACKS



Model #	Description	Capacity	Dimensions
<input type="checkbox"/> LR-XP2	2 Post Bike Rack	2 Bikes	27"L x 27.5"H x 38"W
<input type="checkbox"/> LR-XP4	4 Post Bike Rack	4 Bikes	49.5"L x 27.5"H x 38"W
<input type="checkbox"/> LR-XP6	6 Post Bike Rack	6 Bikes	72"L x 27.5"H x 38"W
<input type="checkbox"/> LR-XP8	8 Post Bike Rack	8 Bikes	94.5"L x 27.5"H x 38"W

#### Mounting Options

- Surface Mounted "-SM"

#### Finish Options

- Hot-dip galvanized "-G"
- Powder coat (optional) "-P"
- Thermoplastic powder coat "-T"



MODEL: LR-XP6-SM-P



## SCH Enterprises, LLC

79405 HWY 111, Ste. 9PMB 466,  
La Quinta, CA 92253

www.SCHenterprisesLLC.org  
operations@schenterprisesllc.org  
503-364-1353

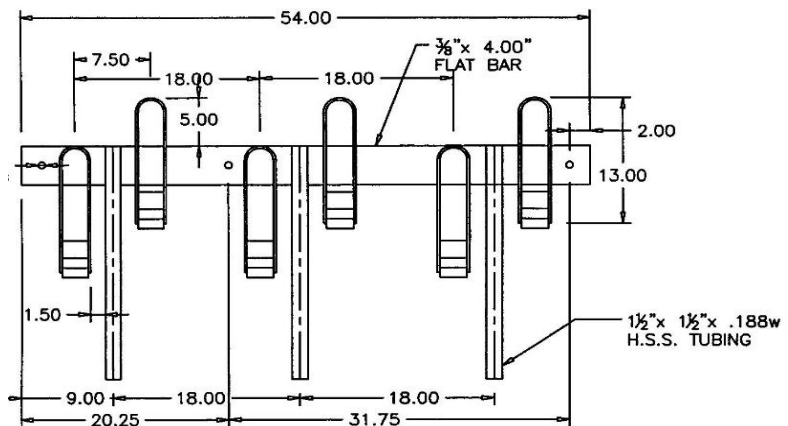
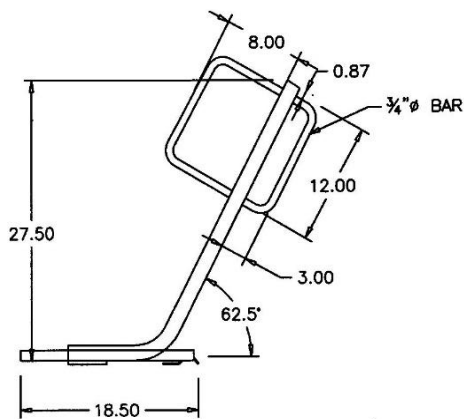
### PRODUCT SUBMITTAL

#### LR SERIES – LIGHTNING BOLT BIKE RACKS



## SSLR – Space Saver LR Rack

Same Concept with Additional Capacity



Model #	Description	Capacity	Dimensions
<input type="checkbox"/> SSLR-P4	2 Post Bike Rack, 4 Tire Pockets	4 Bikes	36" L x 27.5" H x 30" W
<input type="checkbox"/> SSLR-P6	3 Post Bike Rack, 6 Tire Pockets	6 Bikes	54" L x 27.5" H x 30" W
<input type="checkbox"/> SSLR-P8	4 Post Bike Rack, 8 Tire Pockets	8 Bikes	72" L x 27.5" H x 30" W
<input type="checkbox"/> SSLR-P10	5 Post Bike Rack, 10 Tire Pockets	10 Bikes	90" L x 27.5" H x 30" W

\*Also available in SSLRW – WIDE – accommodates double capacity per standard LR-P length.

#### Mounting Options

- Surface Mounted "-SM"

#### Finish Options

- Hot-dip galvanized "-G"
- Powder coat (optional) "-P"
- Thermoplastic powder coat "-T"