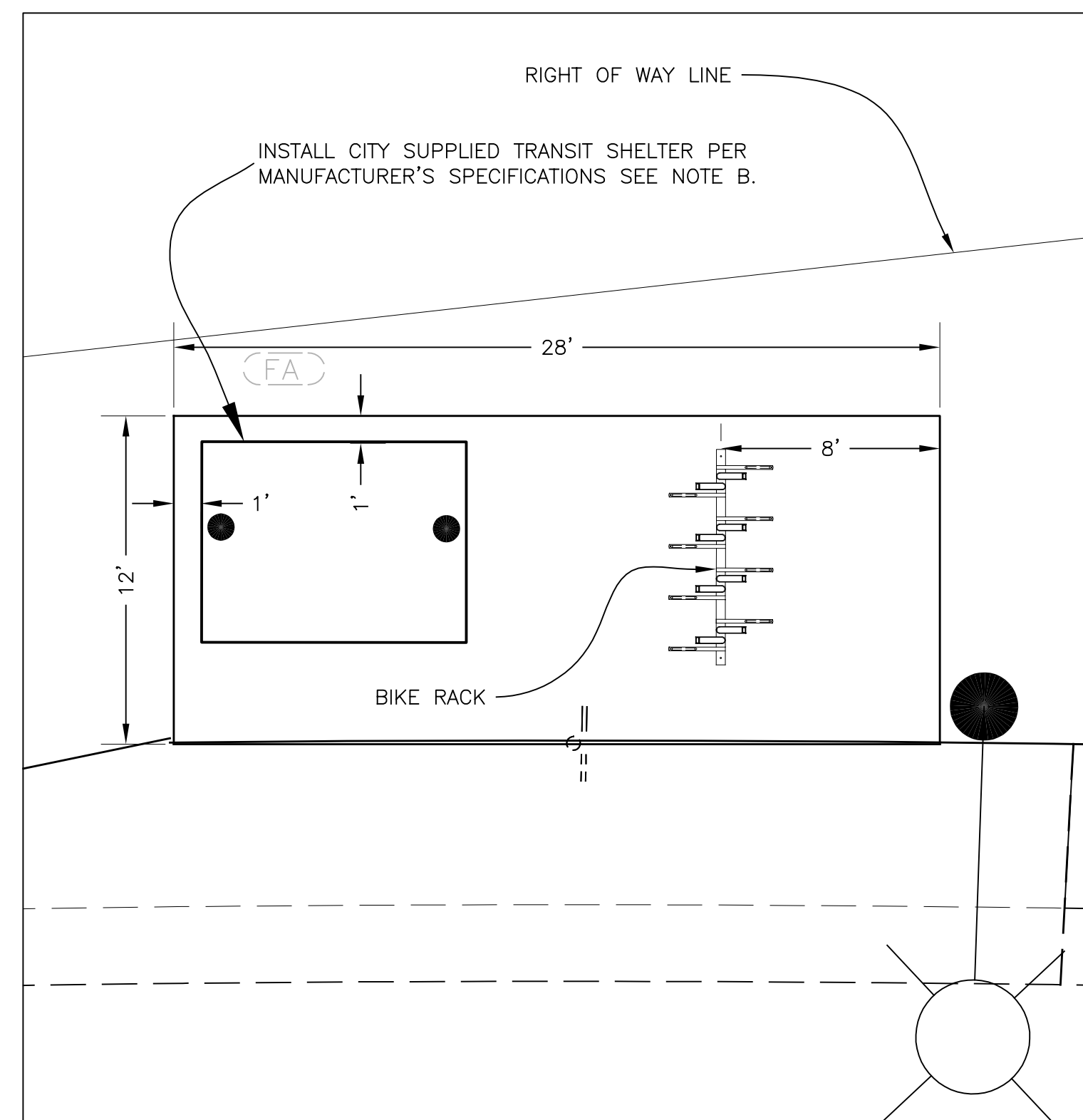


DECORATIVE FENCE DETAIL

FENCE NOTES:

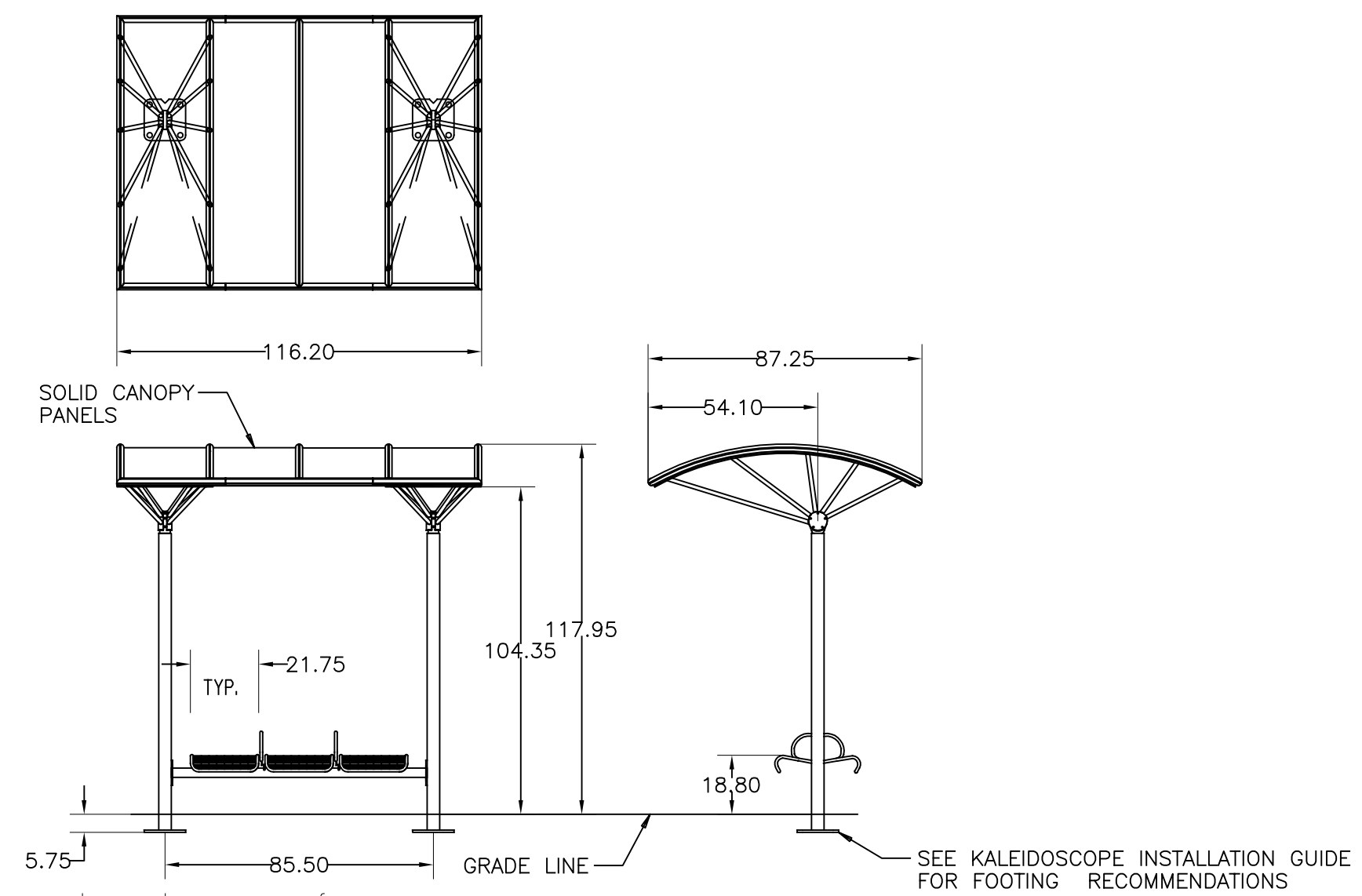
1. ALL METAL TO BE 11 GAUGE.
2. POSTS TO BE 2" SQUARE TUBULAR STEEL WITH CAPS.
3. RAILS, TOP & BOTTOM, TO BE 1 1/2" SQUARE TUBULAR STEEL.
4. PICKETS TO BE 1/2" SQUARE TUBULAR STEEL, 4" ON CENTER.
5. PAINT ALL FENCE COMPONENTS WITH BLACK POLYESTER POWDER COAT. CONTRACTOR TO SUBMIT PAINT SAMPLE FOR APPROVAL.
6. CONTRACTOR TO SUBMIT ALL SHOP DRAWINGS FOR APPROVAL.
7. WELDS TO BE CLEAN & GROUND SMOOTH.



BUS SHELTER PAD DETAIL

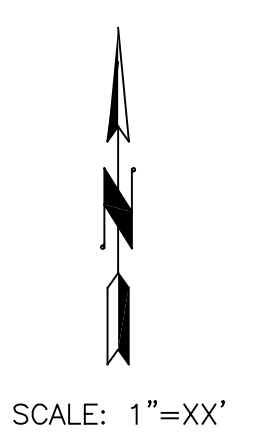
BUS SHELTER DETAIL

B CITY SHALL SUPPLY TRANSIT SHELTER, KALEIDOSCOPE, 2 POSTS, 1 SOLID OFFSET CANOPE, PLEXUS FLAT 2 SEAT 1 ARM SEATING INSERT, WITH LEG FOR ACCESSIBLE SPACE. CONTRACTOR SHALL SINTALL PROVIDE FOUNDATION AND INSTALL SHELTER PER MANUFACTURER'S SPECEIFICATIONS.



BENCH DETAIL

LANDSCAPE FORMS
 431 LAINDALE AVE. PHONE: 800-521-2546
 KALAMAZOO, MI 49048 FAX: 269-381-3455
 CONFIDENTIAL DRAWING INFORMATION CONTAINED HEREIN IS THE PROPERTY OF LANDSCAPE FORMS, INC. INTENDED USE IS LIMITED TO DESIGN PROFESSIONALS SPECIFYING LANDSCAPE FORMS PRODUCTS AND THEIR DIRECT CLIENTS. DRAWING IS NOT TO BE COPIED OR DISCLOSED TO OTHERS WITHOUT THE CONSENT OF LANDSCAPE FORMS.
 TITLE: KALEIDOSCOPE 2 POST OFFSET SOLID CANOPE & PLEXUS FLAT SEATING, INTERMEDIATE ARMS DESIGN: KALEIDOSCOPE PATENT: D432,665; D420,812; D421,132; D429,000; D412,993; D413,314 FILE: KA722-04 DATE: 01-12-07
 AUTHOR: GLS ALL DIMENSIONS IN INCHES
 ©2007 LANDSCAPE FORMS, INC. ALL RIGHTS RESERVED.



REV.	DATE	DESCRIPTION	BY

EIGHTH STREET CORRIDOR
 FURNITURE DETAILS
 C.I.P. #8161



CITY OF DAVIS
 PUBLIC WORKS DEPARTMENT

DESIGNED BY: SEK	DATE: XX/XX/XX
CHECKED BY: MM	DATE: XX/XX/XX
DRAWN BY: Name	DATE: XX/XX/XX
DWG. NO. 303-275	

SHEET 13 OF 13 SHEETS